

MAXSPEED™

INSTALLATION MANUAL

PerformMax Industrial Doors
5 Crozerville Road, Aston, PA 19014
+1 (484) 840-8500

WWW.PERFORMAXGLOBAL.COM
INFO@PERFORMAXGLOBAL.COM

Manufacturer

PerforMax Global
5 Crozerville Road
Aston, PA 19014
Office: +1 (484) 840-8500

Door Details

Date:
Installing Dealer:
Project:
Door Model:
Serial Number:
Clear Opening Between Guides:
Clear Opening Height:

General

This Installation and Maintenance Manual is to help you install MaxSpeed Rubber Door and ensure the door provides reliable and economical operation. DO NOT begin to install a MaxSpeed Rubber Door unless you have read all the instructions in this manual. Please contact PerforMax Global Technical Support at +1 (484) 840-8500 at any time during the install.

Symbols Used in this Document



NOTICE

Highlights important information.



CAUTION

Failure to follow instructions or avoid the described situation may result in damage to equipment.



WARNING / DANGER

Failure to follow instructions or avoid the described situation may result in damage to equipment, serious injury and/or death to person(s).

Safety and Power Isolation



An understanding of the system's functions and operation by trained and competent technicians is essential for safe installation, maintenance, troubleshooting and repair.



Incoming energy to the electric motor (door operator) should be isolated using accepted Lock-Out/Tag-Out procedures for electric isolation. Also isolate any equipment near the installation site if the equipment may be inadvertently operated into the door installation area.



Use proper lifting equipment and techniques. Properly secure all loads.

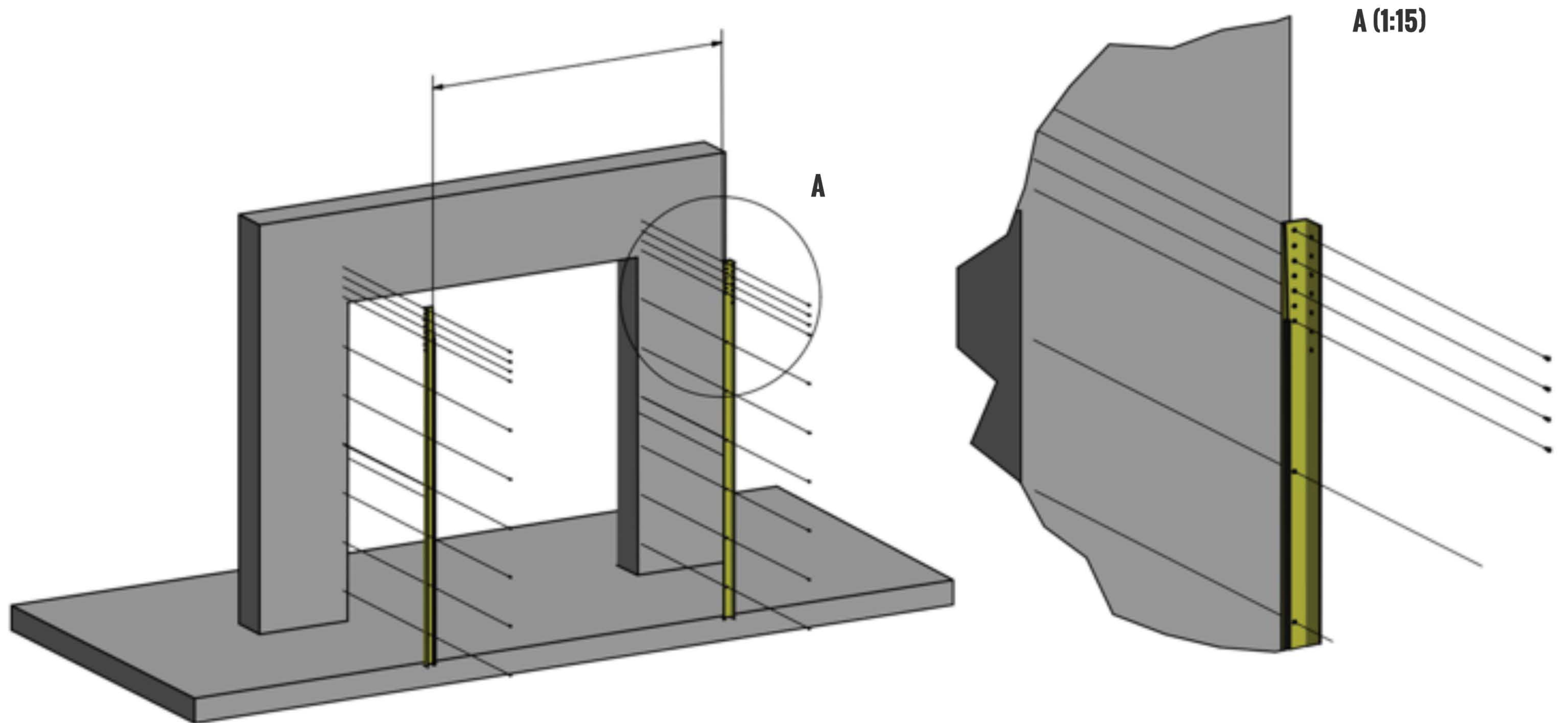
SAFETY INFORMATION

TO PREVENT INJURY TO YOURSELF OR ANYONE AROUND YOU, PLEASE READ SAFETY INFORMATION AND OCCASIONAL REVIEW THEM AS YOU ARE INSTALLING A PERFORMAX GLOBAL HIGH PERFORMANCE DOOR.

- Inspect all components and call Performax Global if problems arise.
 - Be sure to anchor guides into secure walls. Only attaching to drywall or sheet rock with result in failure and/or injury.
 - If repairs are required to your high performance overhead door, please call your service provider and/or Performax Global.
 - Be sure to ask for assistance if lifting anything heavy.
 - Follow instructions carefully and check out Performax Global's YouTube videos for instructional videos.
 - If door is equipped with a torsion tube, use caution when adjusting the tension wheel.
 - Only use hardware that is supplied by Performax Global.
-
- Test safety devices before approving proper operation.
 - If grinding or cutting, but sure to wear proper personal safety equipment.
 - Head plates are carrying a lot of weight. Do not attempt to loosen without supporting the curtain first.
 - Be sure safety devices are fully operational before the door goes into operating mode.
 - Do not let children play with the controls.
 - Be sure the guides are adjusted correctly or the door will not operate correctly.
 - Only licensed operators to move heavy machinery.

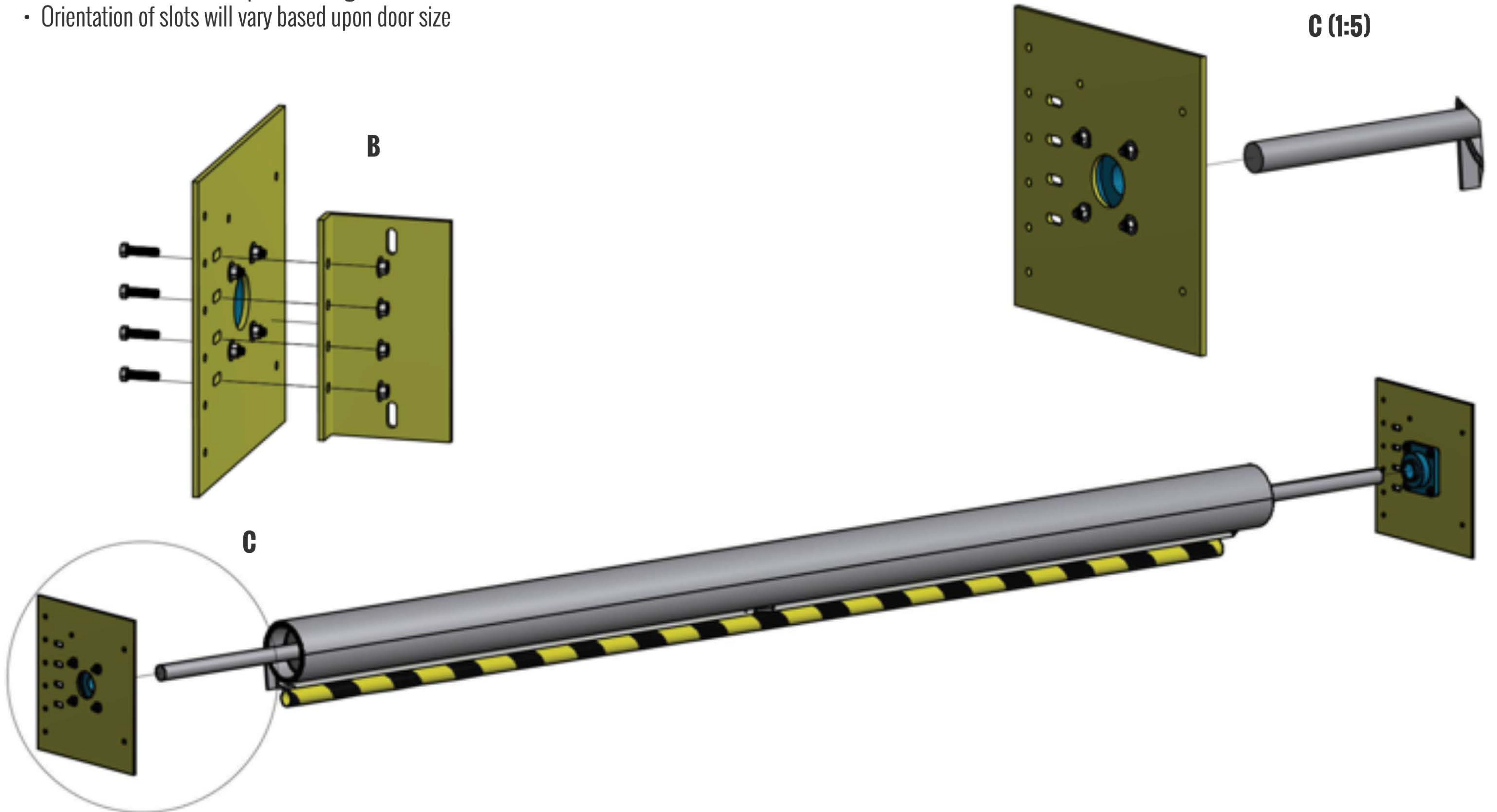
STEP 1

- Anchor rear guides to wall using included hardware
- Maintain clearance width between guides, (steel to steel) at top and bottom of doorway



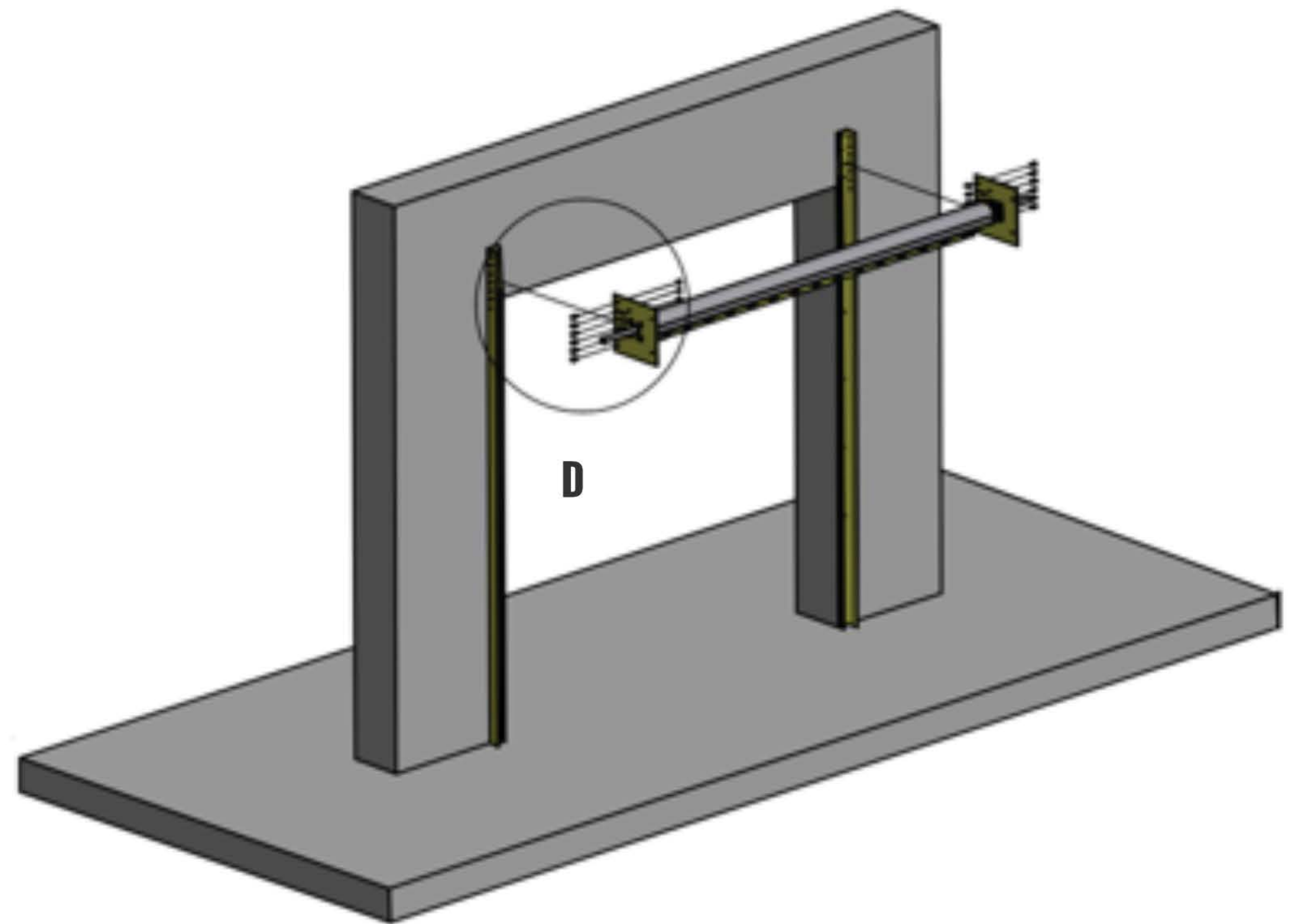
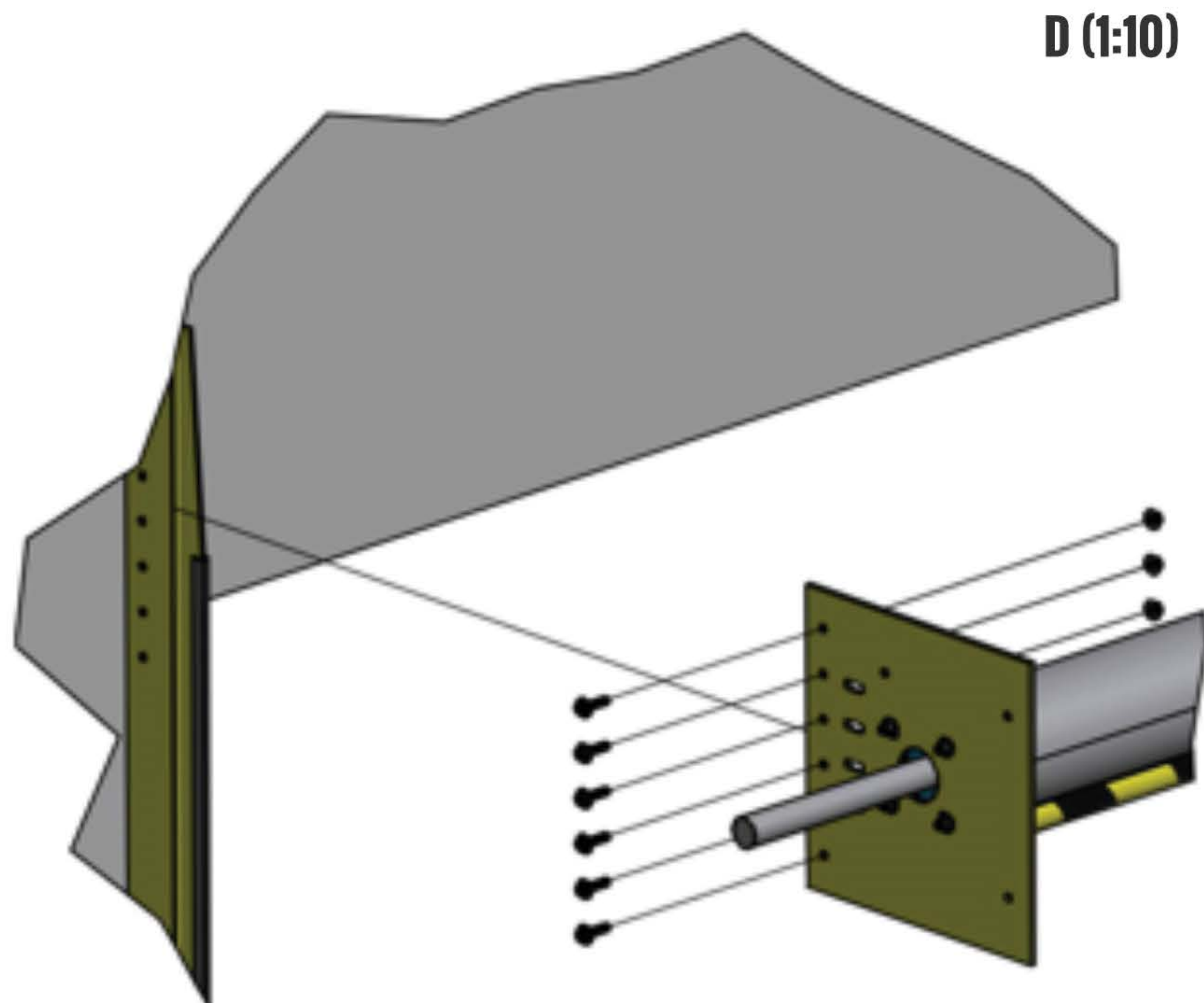
STEP 2

- Bolt motor mount to head plate, bolts do not need to be tight to allow adjustment (View B)
- Slide head plates on to either end of roll shaft and center the curtain (View C)
- Lock set screws on head plate bearings once curtain has been centered
- Orientation of slots will vary based upon door size



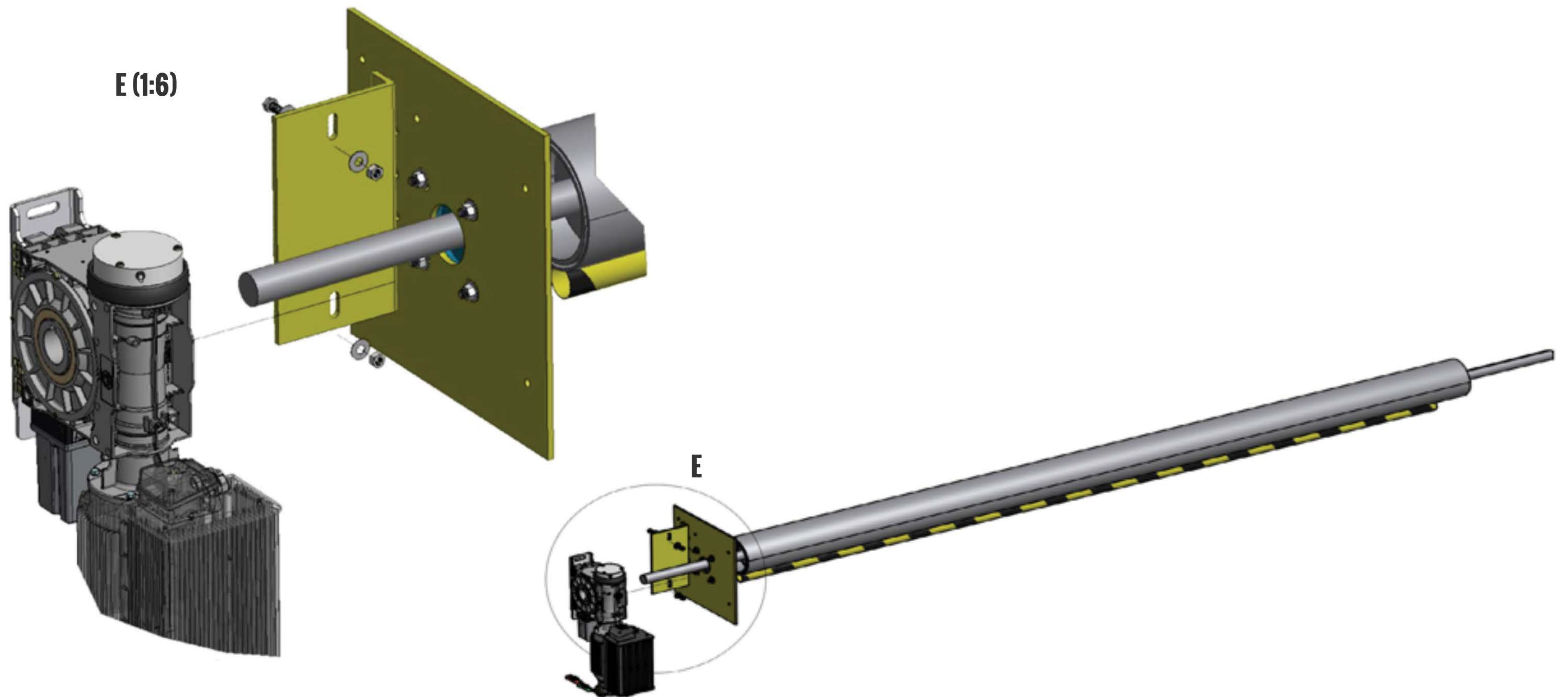
STEP 3

- Lift curtain and head plates into the air
- Align top hole of head plate with top holes on guides
- Bolt head plates to guides as shown using included hardware (bolts, washers and nuts)
- Bolt the retainer to header
- Slide lintel brush to retainer



STEP 4

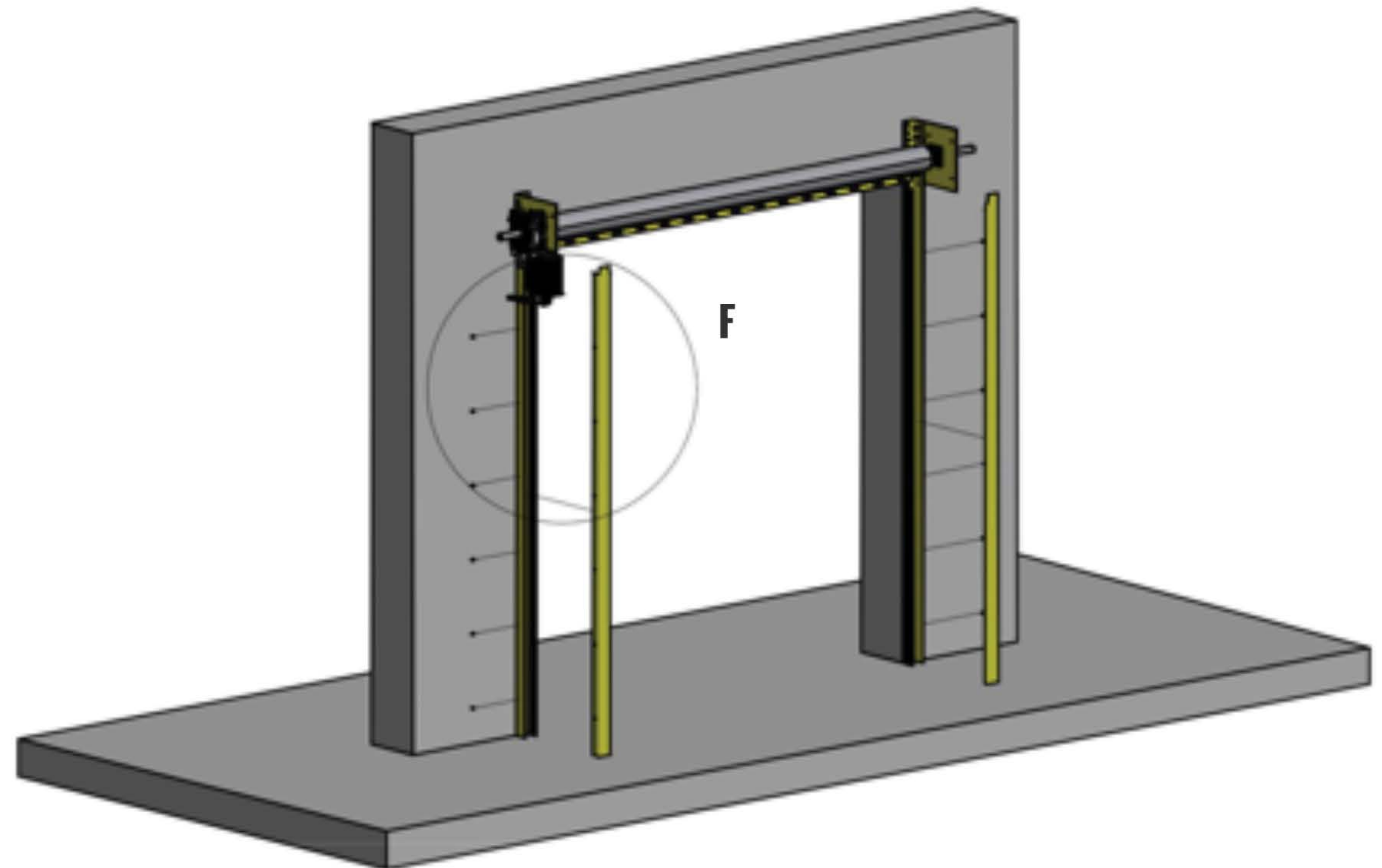
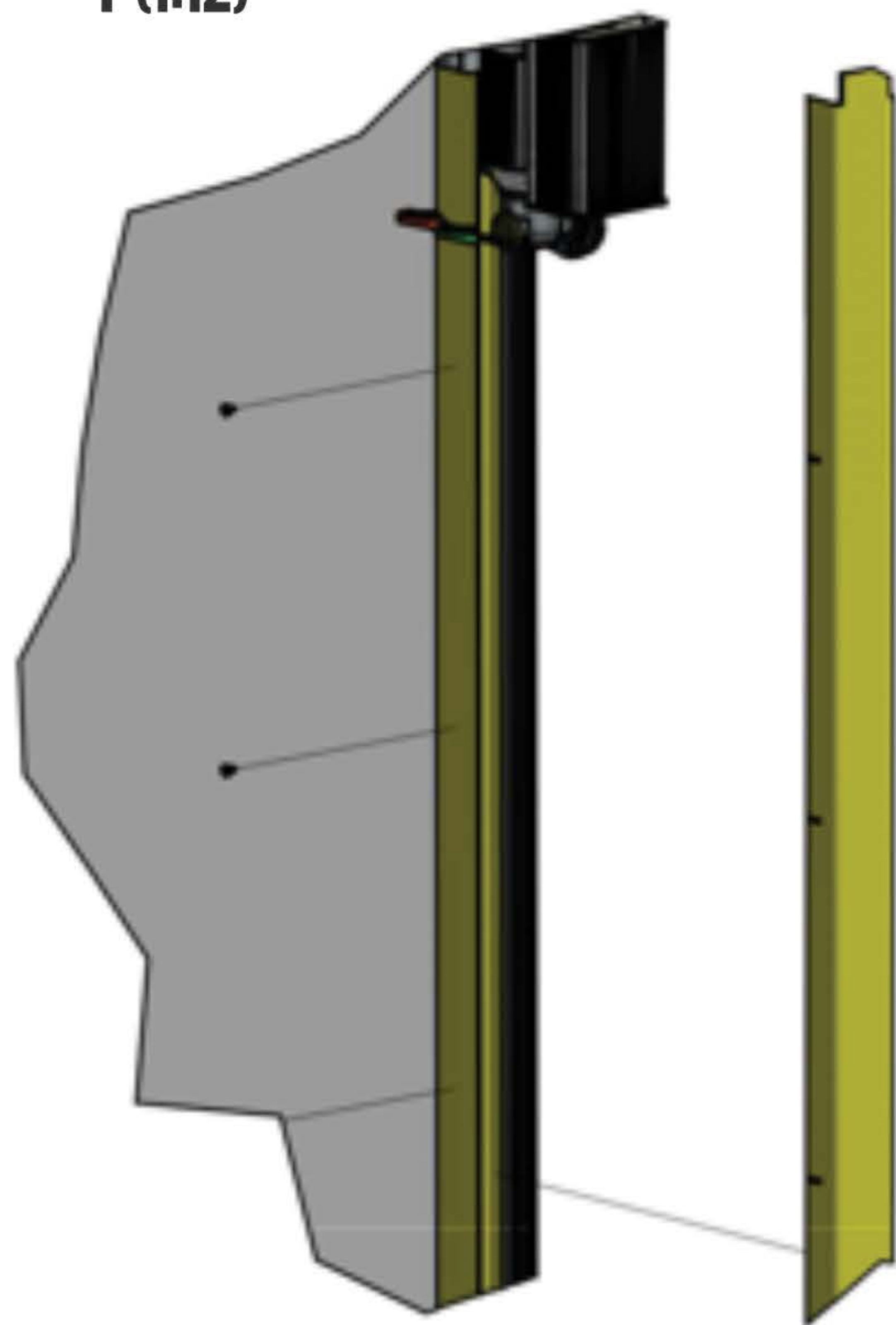
- Slide motor onto shaft and key
- Attach motor to motor mounting plate using included hardware
- Motor should be >1 inch away from head plate at closest point
- Motor orientation may vary based on side
 - Horizontal: MS/MP350
 - Vertical: MS/MP500, MP1000, MP1200



STEP 5

- Bolt guide covers to wall mounted guides using self-tapping screw, keep front guide on outside of mounted guides
- Maintain a gap of $\frac{3}{4}$ " between plastic guides when mounting

F (1:12)



MAXSPEED PARTS LIST

Item Number	Part #	MaxSpeed Item	Quantity	Part # Options	Options
1	S-001	Left Rear Guide	1	S-047	Wireless Safety Edge
2	S-002	Left Front Guide	1	S-048	Safety Edge Coil Cord
3	S-003	Right Rear Guide	1	S-049	Safety Edge Black Box
4	S-004	Right Front Guide	1	S-050	Safety Edge Black Box Bolt
5	S-005	Plastic Guide Rails	4	S-051	Safety Edge Black Box Nut
6	S-006	End Tabs	Varies	S-052	Safety Edge Black Box Washer
7	S-007	Male End Tab Screws	Varies	S-053	Thru Beam Photo Eye
8	S-008	Female End Tab Screws	Varies	S-054	Photo Eye Wire
9	S-009	Bottom Bar	2	S-055	Photo Eye Bracket
10	S-010	Crash Plate	2	S-056	Photo Eye Reflective Disk
11	S-011	Crash Plate Washer	8	S-057	Window
12	S-012	Crash Plate Bolts	4	S-058	Window Rivets
13	S-013	Crash Plate Nuts	4	S-059	Curtain Cover
14	S-014	Reflective Photo Eye	1	S-060	Motor Cover
15	S-015	Photo Eye Wire	1	S-061	Spreader Bars
16	S-016	Photo Eye Bracket	1	S-062	Spreader Bar Bolts
17	S-017	Photo Eye Reflective Disk	1	S-063	Spreader Bar Nuts
18	S-018	Safety Edge	1	S-064	Spreader Bar Washers
19	S-019	Safety Edge Box	1	S-065	Guide Brush Seal
20	S-020	Safety Edge Black Box Bolt	1	S-066	Guide Brush Seal Bracket
21	S-021	Safety Edge Black Box Nut	1	S-067	Guide Brush Seal Rivets
22	S-022	Safety Edge Black Box Washer	1	S-068	3-Button Station
23	S-023	Head plate	2	S-069	Mushroom Button
24	S-024	Bearings	2	S-070	Loop Detector
25	S-025	Bearing Bolts	8	S-071	Falcon Eye
26	S-026	Bearing Washer	16	S-072	Wireless Receiver
27	S-027	Bearing Nut	8	S-073	Wireless Transmitter
28	S-028	GFA Motor	1	S-074	Flange Mount Disconnect
29	S-029	Control Panel	1		
30	S-030	16' Motor Cable Set	1		
31	S-031	Motor Mount	1		
32	S-032	Motor Mount Bolts	4		
33	S-033	Motor Mount Nuts	4		
34	S-034	Motor Mount Washer	8		

MAXSPEED PARTS LIST

Item Number	Part #	MaxSpeed Item	Quantity		Part # Options	Options
35	S-035	Pipe	1			
36	S-036	Curtain	1			
37	S-037	Curtain to Pipe Strap	1			
38	S-038	Curtain to Pipe Scrap Bolts	Varies			
39	S-039	Front and Rear Guide Self Threading Bolts	Varies			
40	S-040	Head Plate to Guide Bolts	Varies			
41	S-041	Head Plate to Guide Washers	Varies			
42	S-042	Head Plate to Guide Nuts	Varies			
43	S-043	Bottom Bar to Curtain Bolts	Varies			
44	S-044	Bottom Bar to Curtain Nuts	Varies			
45	S-045	Bottom Bar to Curtain Washer	Varies			
46	S-046	Lintel Brush	1			