

MAXDOCK™

INSTALLATION MANUAL FOR MANUAL OR DIRECT DRIVE MOTOR

PerformMax Industrial Doors
5 Crozerville Road, Aston, PA 19014
+1 (484) 840-8500

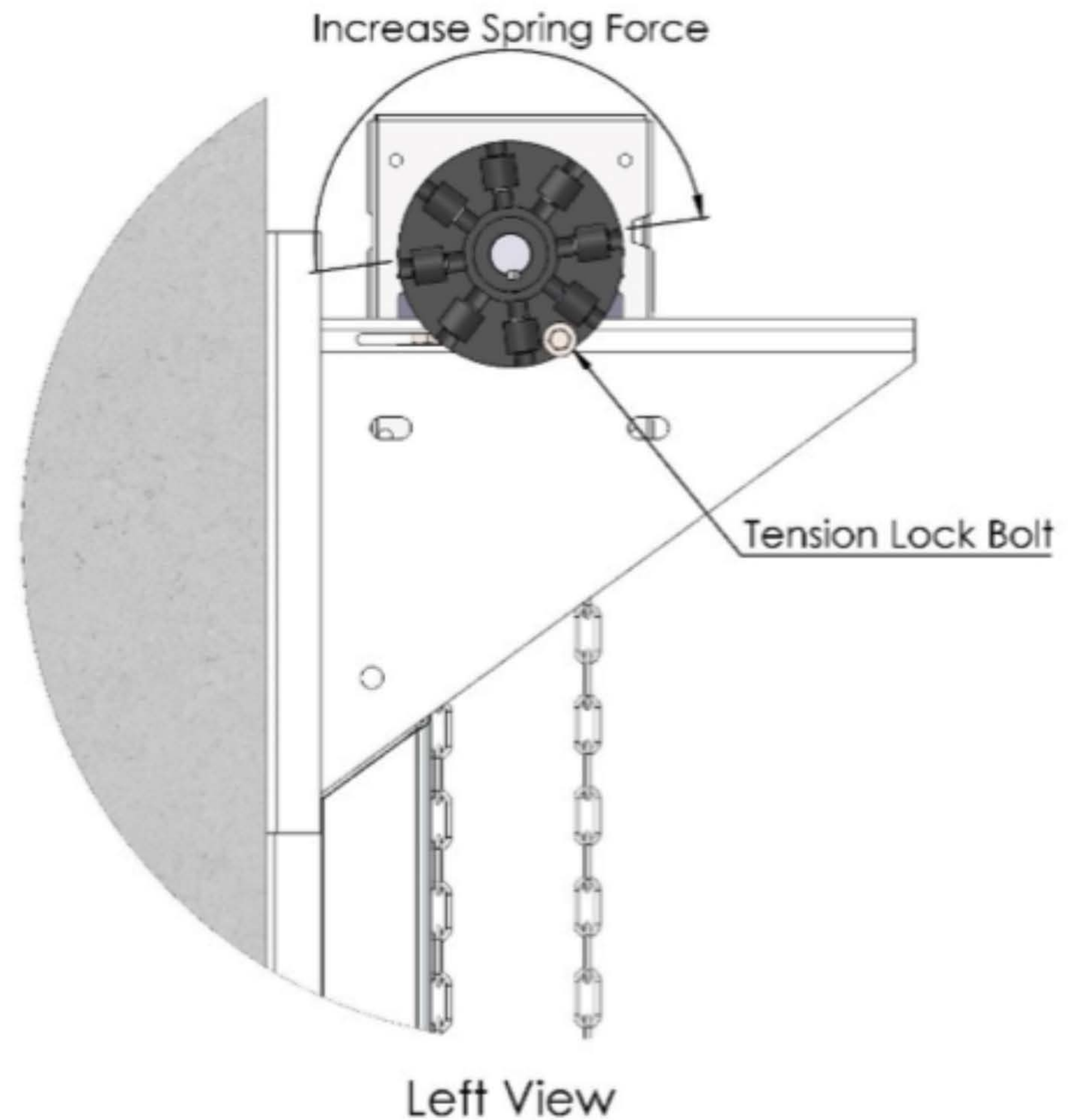
WWW.PERFORMAXGLOBAL.COM
INFO@PERFORMAXGLOBAL.COM

Manufacturer

PerforMax Global
5 Crozerville Road
Aston, PA 19014
Office: +1 (484) 840-8500

Door Details

Date:
Installing Dealer:
Project:
Door Model:
Serial Number:
Clear Opening Between Guides:
Clear Opening Height:
5-6 Turns Pre-Tensions (See Illustration):



General

This Installation and Maintenance Manual is to help you install MaxDock Rubber Door and ensure the door provides reliable and economical operation. DO NOT begin to install a MaxDock Rubber Door unless you have read all the instructions in this manual. Please contact PerforMax Global Technical Support at +1 (484) 840-8500 at any time during the install.

Symbols Used in this Document



NOTICE

Highlights important information.



CAUTION

Failure to follow instructions or avoid the described situation may result in damage to equipment.



WARNING / DANGER

Failure to follow instructions or avoid the described situation may result in damage to equipment, serious injury and/or death to person(s).

Safety and Power Isolation



An understanding of the system's functions and operation by trained and competent technicians is essential for safe installation, maintenance, troubleshooting and repair.



Incoming energy to the electric motor (door operator) should be isolated using accepted Lock-Out/Tag-Out procedures for electric isolation. Also isolate any equipment near the installation site if the equipment may be inadvertently operated into the door installation area.



Use proper lifting equipment and techniques. Properly secure all loads.

SAFETY INFORMATION

TO PREVENT INJURY TO YOURSELF OR ANYONE AROUND YOU, PLEASE READ SAFETY INFORMATION AND OCCASIONAL REVIEW THEM AS YOU ARE INSTALLING A PERFORMAX GLOBAL HIGH PERFORMANCE DOOR.

- Inspect all components and call PerforMax Global if problems arise.
 - Be sure to anchor guides into secure walls. Only attaching to drywall or sheet rock with result in failure and/or injury.
 - If repairs are required to your high performance overhead door, please call your service provider and/or PerforMax Global.
 - Be sure to ask for assistance if lifting anything heavy.
 - Follow instructions carefully and check out PerforMax Global's YouTube videos for instructional videos.
 - If door is equipped with a torsion tube, use caution when adjusting the tension wheel.
 - Only use hardware that is supplied by PerforMax Global.
-
- Test safety devices before approving proper operation.
 - If grinding or cutting, but sure to wear proper personal safety equipment.
 - Head plates are carrying a lot of weight. Do not attempt to loosen without supporting the curtain first.
 - Be sure safety devices are fully operational before the door goes into operating mode.
 - Do not let children play with the controls.
 - Be sure the guides are adjusted correctly or the door will not operate correctly.
 - Only licensed operators to move heavy machinery.

1. PREPARATION

VERIFY CLEAR OPENING DIMENSIONS AND CLEARANCES

Check the width (CW) and height (CH) of the door opening and verify the measurements using Shop Drawings. Measure the distance from the floor to the header of each jamb and confirm the heights are consistent.

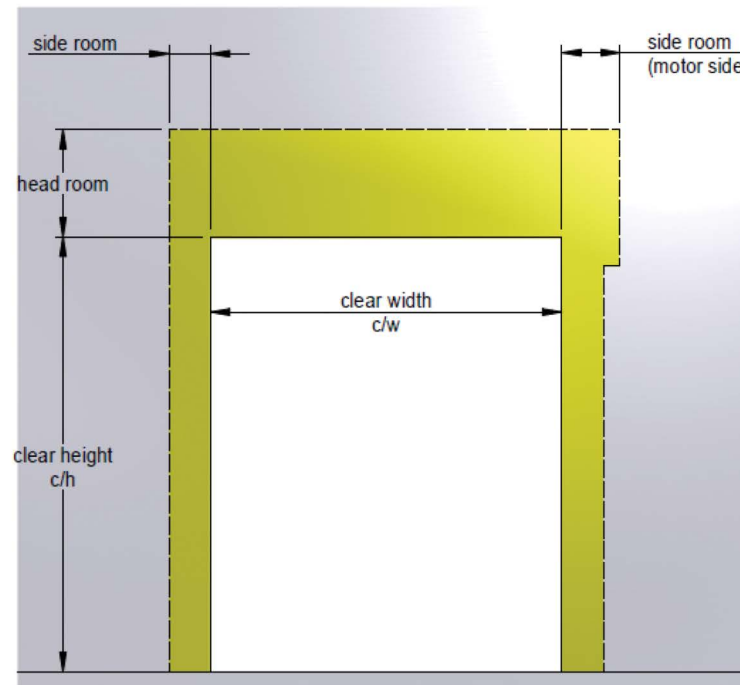


Fig 1. Clear Opening and Clearances



Some wall surfaces are not ideal and may require shimming to keep the side frames square to each other. Proper installation will help eliminate photocell misalignment problems and curtain binding issues

2. INSTALL SIDE GUIDES, REAR TRACK

SIDE FRAME INSTALLATION

The door is usually meant to be installed centered over the door opening. At this time establish a level line or mark on each side of the door opening (must be marked in order to establish a reference height in case of an uneven floor). This can be accomplished using either a water level or an optical measuring device. Measuring down from this mark to the floor on each side of the door opening will tell you if your floor is level at the points of installation for each of the side guides.

IMPORTANT! Verify that the distance between the guides is the correct distance apart. Confirm guides are plumb and square. This will ensure proper curtain tension.

FOR STEEL FRAMED BUILDINGS

Plug weld the rear track to the mounting steel where hole is provided. The bracket must be supported above the lintel. If mounting structure does not exist above the lintel, install adequate bracing.

FOR BRICK OR CONCRETE BUILDINGS

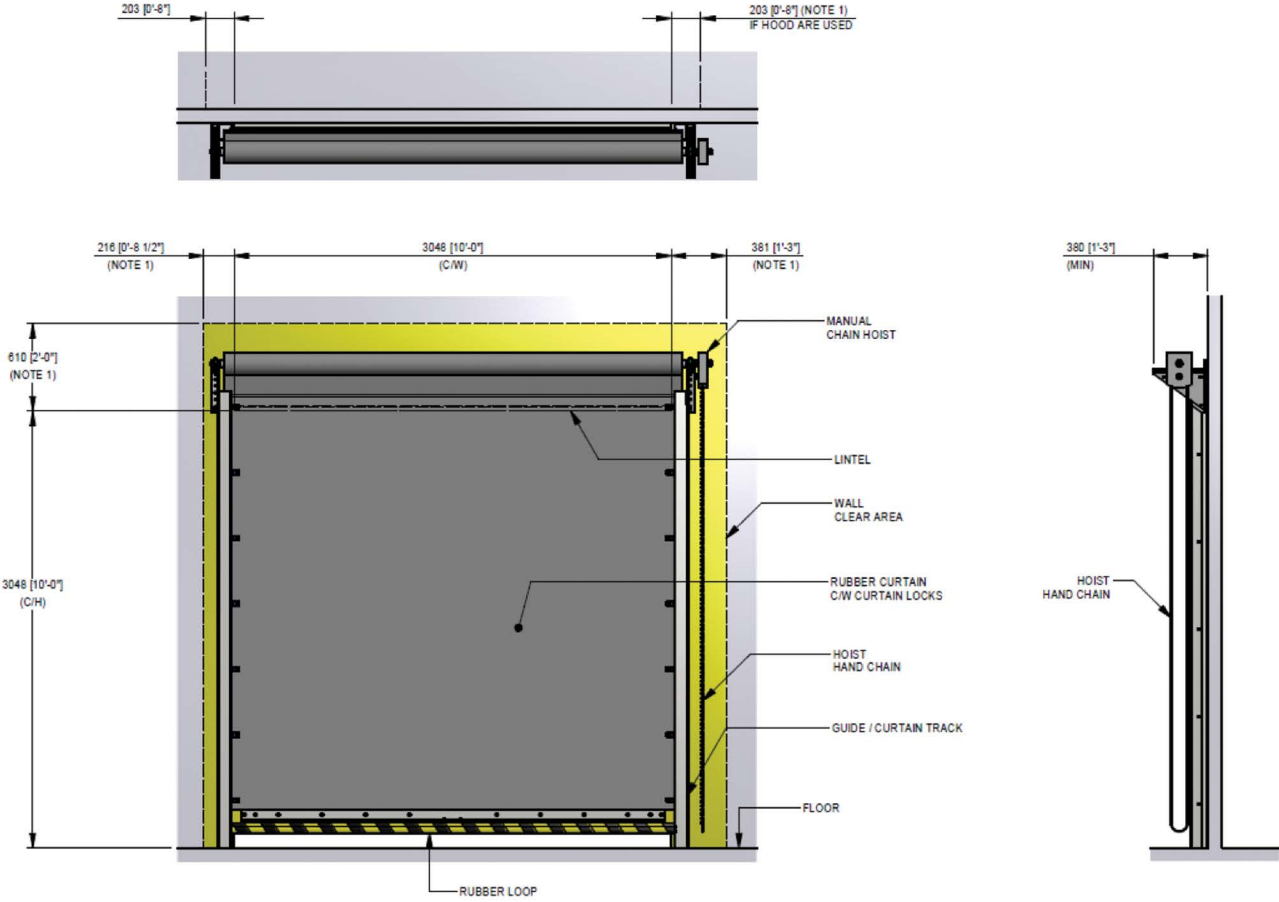
Fasten the rear track to the wall with appropriate fastener. Appropriate fastener is minimum dia. 1/2" (12) threaded rod, thru bolted for most other materials, use appropriate backing plates for thru bolting.



Improper installation of anchoring devices or installation into aged or unsound concrete block, or other wall material may result in premature wear, product failure, property damage, or serious personal injury.

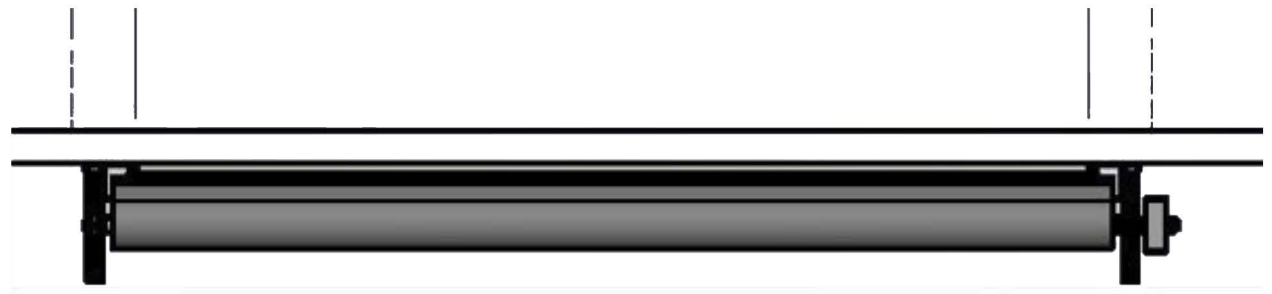
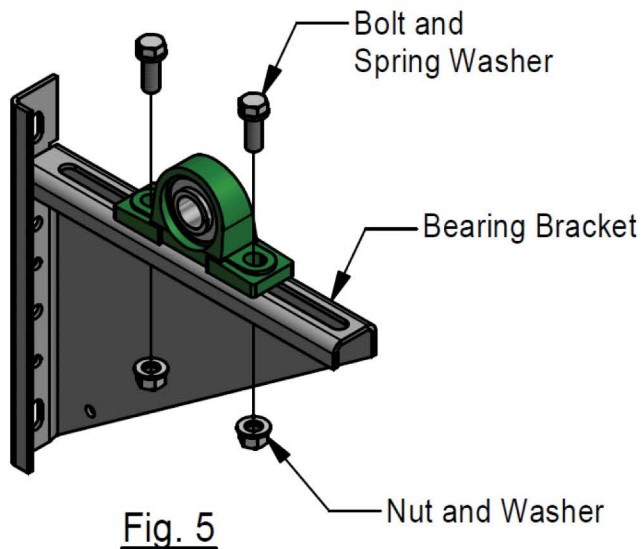
3. RUBBER CURTAIN ASSEMBLY

Slide bearings onto the left and right shafts.



3. RUBBER CURTAIN ASSEMBLY (CONTINUED)

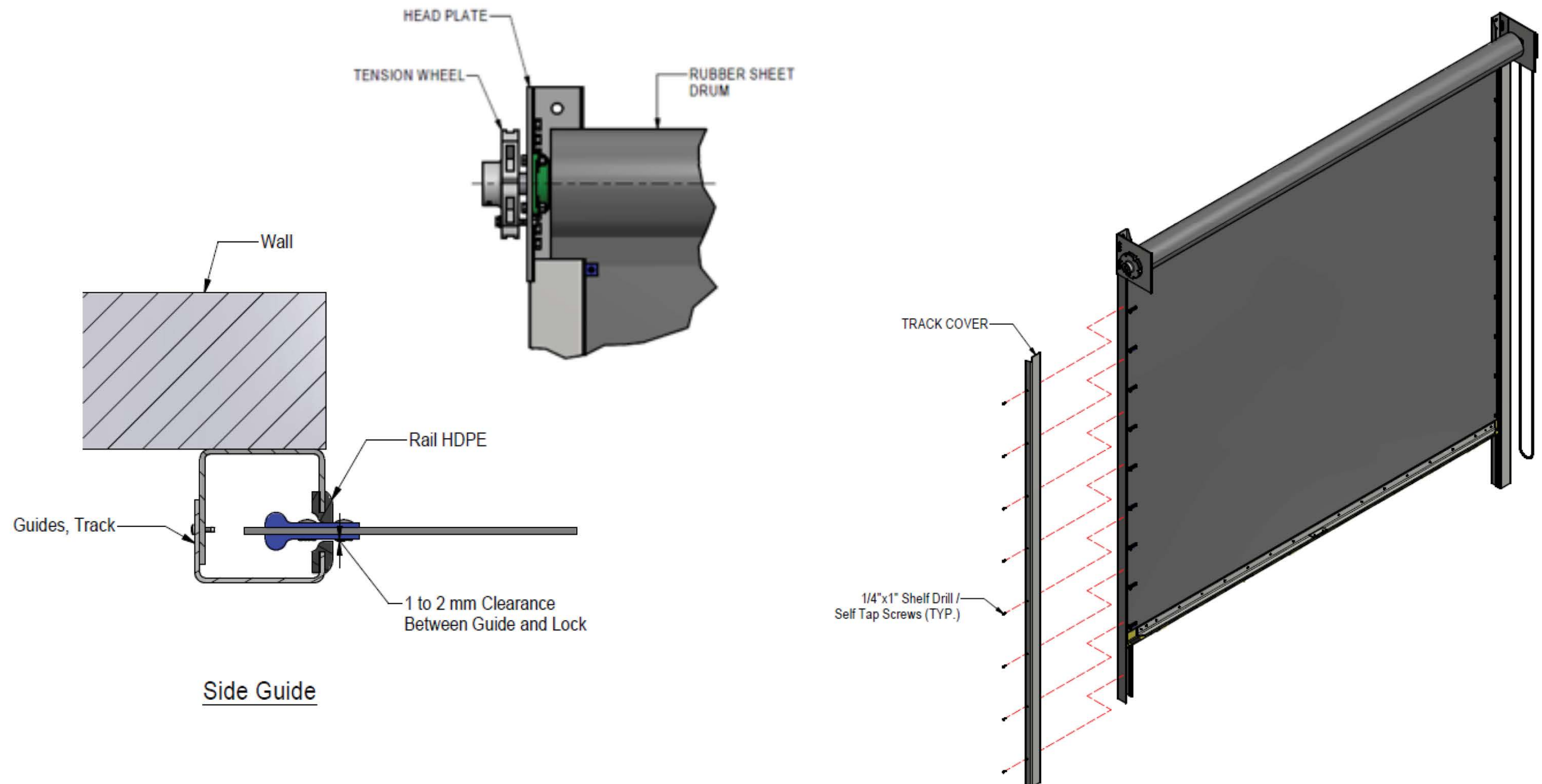
Lift the finished curtain assembly onto the rear wall-mounted guides using appropriate lifting equipment. **Place the rubber curtain roll 2" from the wall.** Then confirm the distance between the edge of rubber curtain and side guides is the same amount. After confirming proper placement, fasten bearings to the rear wall-mounted guides and triangle supports using the nut, bolt and washers provided. After door is centered in guides please be sure to tighten the bearing screws to the shaft so the door does not shift side to side.



Do not move forklift until all fasteners are tightened and safe.

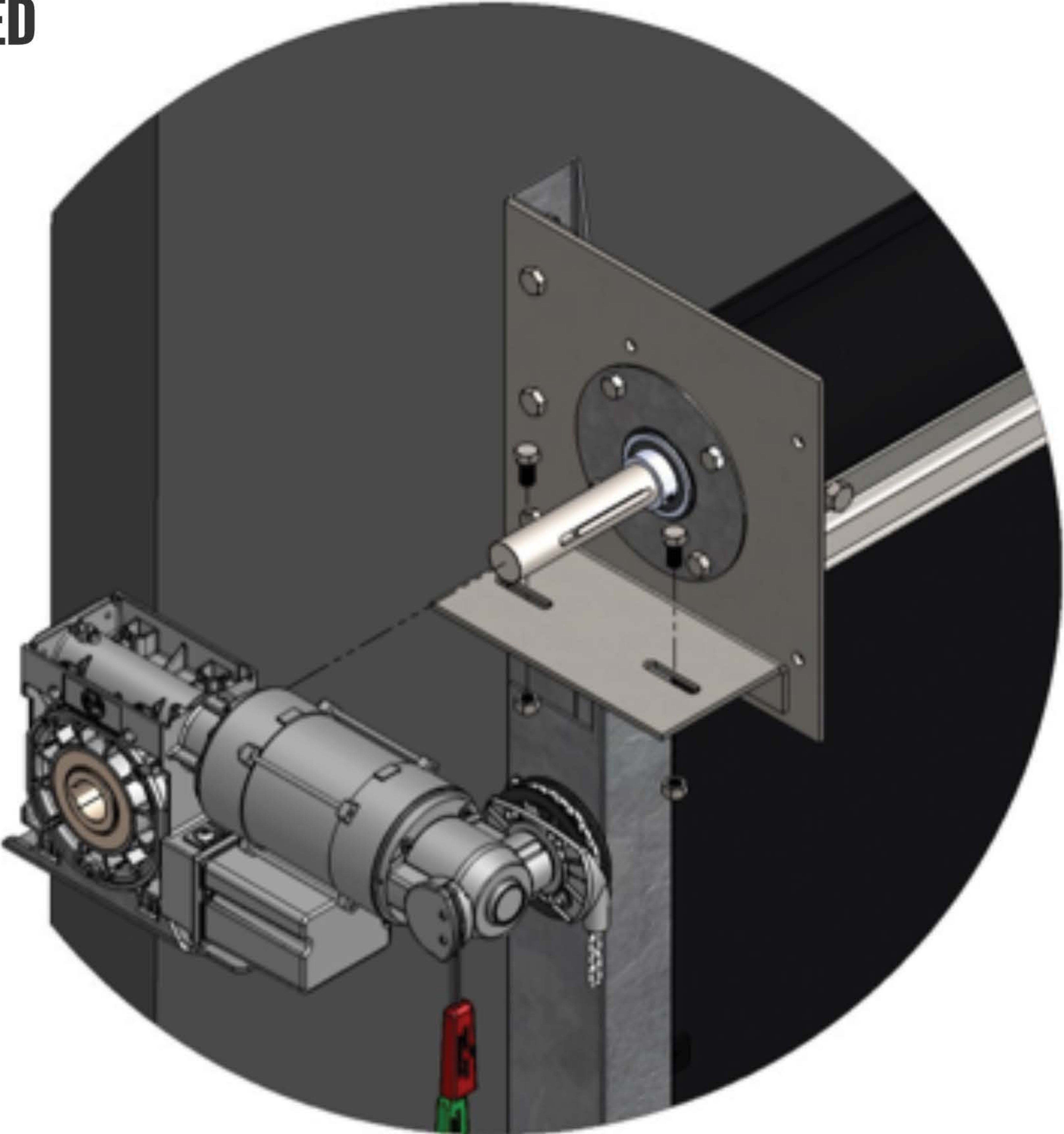
4. INSTALL SIDE GUIDES, COVER TRACK & CHAIN HOIST

Set-up front guide covers (Cover Track) and use 3/4" spacer provided for correct space between the guides. " self-tapping screws provided are to be used to bolt the front guides to the rear guides. Slide the shaft collars and the chain hoist on the shaft. Then bolt the chain hoist to the triangle support. Slide the tension wheel onto the shaft opposite to the chain hoist. Drill 1/2" hole through the tension wheel and the square head plate (see picture under). Then put proper tension on the pipe and bolt the tension wheel to the triangle support.



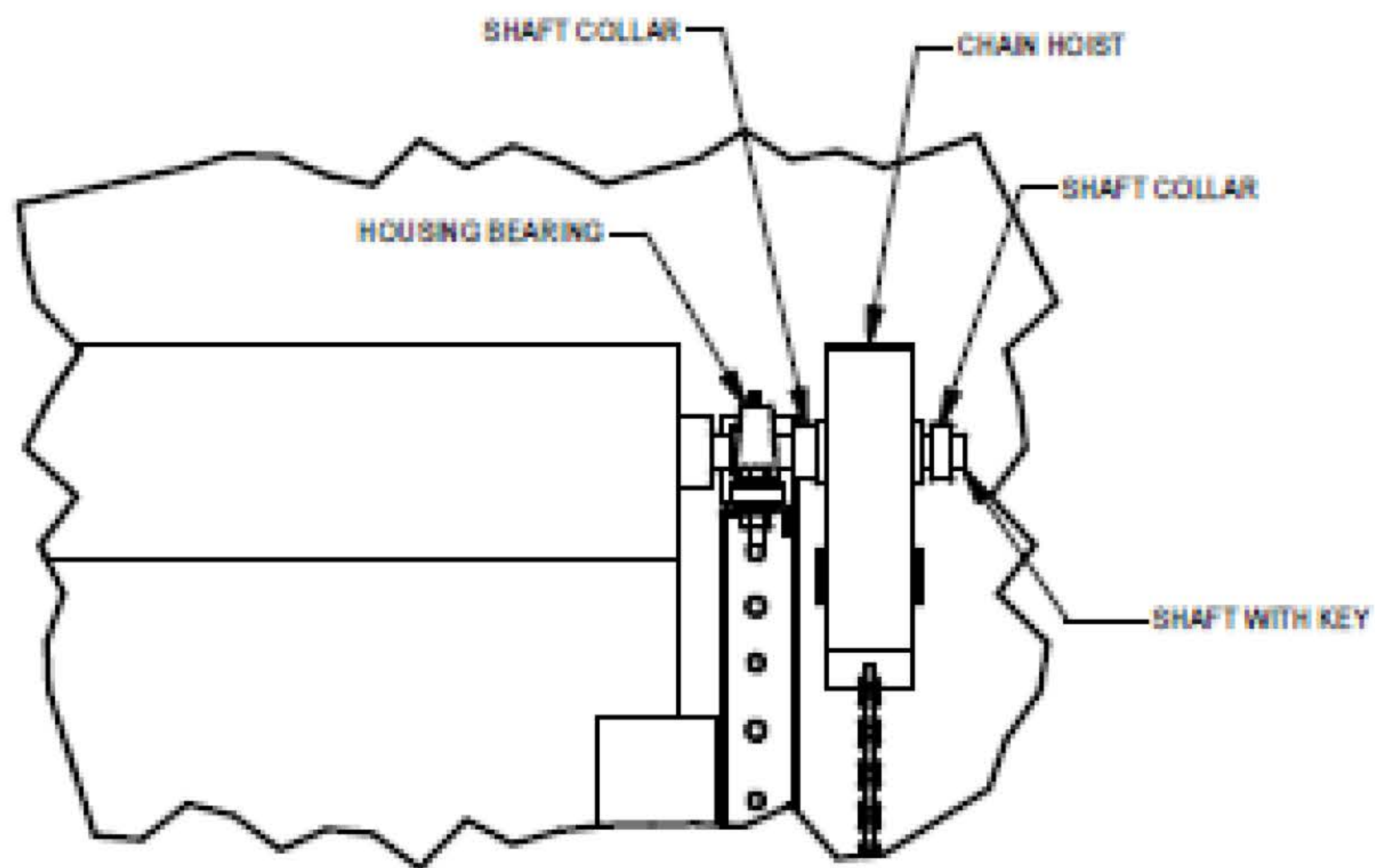
If Direct Drive Motor needs to be mounted

DIRECT DRIVE MOTOR MOUNTED



DETAIL A
SCALE 1 : 5

5. INSTALLATION / MAINTENANCE CHECKLIST



- Ensure all fasteners are tight
- Lubricate bearing
- Check for damaged/worn parts

MAXDOCK MANUAL PARTS LIST

Item Number	Part #	MaxDock Item	Quantity		Part # Options	Options
1	D-001	Left Rear Guide	1		D-036	Windows
2	D-002	Left Front Guide	1		D-037	Window Rivets
3	D-003	Right Rear Guide	1		D-038	Guide Brush Seal
4	D-004	Right Front Guide	1		D-039	Guide Brush Seal Bracket
5	D-005	End Tabs	Varies		D-040	Guide Brush Seal Rivets
6	D-006	Male End Tab Screws	Varies		D-041	Lift Master Motor
7	D-007	Female End Tab Screws	Varies		D-042	Head Plate Bracket
8	D-008	Bottom Bar	2		D-043	Lift Master Bracket Bolts
9	D-009	Crash Plate	2		D-044	Lift Master Bracket Washer
10	D-010	Crash Plate Bolts	4		D-045	Lift Master Bracket Nuts
11	D-011	Crash Plate Nuts	4		D-046	Control Panel
12	D-012	Rubber Edge	1		D-047	Thru Beam Photo Eye
13	D-013	Bearings	2		D-048	Photo Eye
14	D-014	Bearing Bolts	4		D-049	Photo Eye Wire
15	D-015	Bearing Washer	8		D-050	Photo Eye Bracket
16	D-016	Bearing Nut	4		D-051	Photo Eye Reflective Disk
17	D-017	Chain Hoist	1		D-052	Wall Mount Bracket
18	D-018	Chain	Varies		D-053	Wall Mount Bracket Hardware
19	D-019	Chain Hoist Bracket	1		D-054	3-Button Station
20	D-020	Chain Hoist Bracket Bolts	2		D-055	Loop Dectector
21	D-021	Chain Hoist Bracket Nuts	2		D-056	Falcon Eye
22	D-022	Chain Hoist Bracket Washer	4		D-057	Wireless Reciever
23	D-023	Spring Pipe/Torsion Tube	1		D-058	Wireless Transmitter
24	D-024	Tension Wheel	1		D-059	Wireless Safety Edge
25	D-025	Tension Wheel Bolt	1		D-060	Safety Edge
26	D-026	Tension Wheel Nut	1		D-061	Safety Edge Coil Cord
27	D-027	Tension Wheel Washer	2		D-062	Safety Edge Black Box
28	D-028	Curtain	1		D-063	Safety Edge Black Box Bolt
29	D-029	Curtain to Pipe Strap	1			
30	D-030	Curtain to Pipe Strap Bolts	Varies			
31	D-031	Front and Rear Guide Self Threading Bolts	Varies			
32	D-032	Bottom Bar to Curtain Bolts	Varies			
33	D-033	Bottom Bar to Curtain Nuts	Varies			
34	D-034	Bottom Bar to Curtain Washer	Varies			
35	D-035	Lintel Brush	1			

MAXDOCK DIRECT DRIVE PARTS LIST

Item Number	Part #	MaxPro Item	Item Description	Quantity	Part # Options	Options
1	P-001	Rear Right Guide	Rear Right Guide	1	P-038	Wireless safety edge
2	P-002	Front Left Guide	Front Left Guide	1	P-039	Safety edge coil cord
3	P-003	Front Right Guide	Front Right Guide	1	P-040	Safety edge junction box
4	P-004	15 inch Head Plate	Head Plate	2	P-041	Safety edge junction box bolt
5	P-005	Motor Mount	Motor Mount	1	P-042	Safety edge junction box nut
6	P-006	HHFBOLT 0.5000-20x1x1-S	Bolt	8	P-043	Safety edge junction box washer
7	P-007	HHNUT 0.5000-20-D-S	Bolt	8	P-044	Thru beam photoeye
8	P-008	FHTS 0.375-24-G-1.125-S	Nut	1	P-045	Reflective photoeye transmitter/reciver
9	P-009	FHTS 0.375-16-F-1.125-S	Nut	11	P-046	Reflective photoeye reflector
10	P-010	Bearing Flanges	Bearing Flange	4	P-047	Reflective photoeye bracket
11	P-011	HBOLT 0.3750-16x1x1-S	Bolt	4	P-048	Window
12	P-012	HNUT 0.3750-16-D-S	Nut	8	P-049	Window Rivets
13	P-013	insert bearings	Bearings	2	P-050	Hood Cover
14	P-014	HBOLT 0.3750-24x1x1-S	Bolt	4	P-051	Motor Cover
15	P-015	Bottom Bar	Bottom Bar, Front/Rear	2	P-052	Spreader bars
16	P-016	Rear Left Guide	Rear Left Guide	1	P-053	Spreader bar bolts
17	P-017	Pipe for Rolling Steel Replacement Door	Pipe	1	P-054	Spreader bar nuts
18	P-018	Door Safety Edge Bracket	Bracket	1	P-055	Spreader bar washers
19	P-019	Door Safety Edge	Edge	1	P-056	3 - button station
20	P-020	Door SBR Curtain	Curtain	1	P-057	Mushroom button
21	P-021	End Tabs - angled	End Lock/Wind Tab, HDPE Plastic	32	P-058	Loop detector
22	P-022	Screws, female 10-24 x 3/8 SST	Female end tab screws	32	P-059	Falcon Eye
23	P-023	Screws, male 10-24 x 3/8 SST	Male end tab screws	32	P-060	Wireless Transmitter
24	P-024	Regular FW 0.375	Bolt	20	P-061	Wireless Receiver
25	P-025	HBOLT 0.6250-18x0.625x0.625-S	Bolt	10	P-062	Flange Mount Disconnect
26	P-026	B18.2.24M - Hex flange nut, M10 x 1.5, with 15 WAF --S	Nut	10		
27	P-027	HBOLT 0.6250-18x1.5x1.5-S	Bolt	6		
28	P-028	HNUT 0.3750-24-D-N	Nut	6		
29	P-029	25.12 GFA Motor (specify voltage)	Motor	1		
30	P-030	HHSBOLT 0.5000-13x2x2-S	Bolt	14		
31	P-031	HBOLT 0.5000-20x1x1-S	Bolt	2		
32	P-032	HNUT 0.5000-20-D-S	Nut	2		
33	P-033	Emergency Chain Hoist	Hoist	1		
34	P-034	Lintel brush	Brush	1		
35	P-035	Curtain Pipe	Pipe	1		
36	P-036	Curtain to pipe strap	Strap	1		
37	P-037	Crash Plate	Plate	1		